

*MEDxConnect™*

*DICOM CONFORMANCE STATEMENT*

MARCH 7, 2007

Compressus Inc.  
101 Constitution Avenue, N.W., Suite 800  
Washington, DC 20001  
Tel: +1 202.742.4307  
Fax: +1 202.742.4286  
[www.compressus.com](http://www.compressus.com)

## Table of Contents

<b>1.</b>	<b>Introduction.....</b>	<b>3</b>
1.1.	Purpose of this Document.....	3
1.2.	Related Documents .....	3
<b>2.</b>	<b>Implementation Model .....</b>	<b>3</b>
2.1.	Application data flow diagram .....	3
2.2.	Functional definitions of AE's.....	3
2.3.	Sequencing of real-world activities .....	3
<b>3.</b>	<b>Application Entity specification .....</b>	<b>4</b>
3.1.	Association establishment policies .....	7
3.1.1.	General .....	7
3.1.2.	Number of associations.....	7
3.1.3.	Asynchronous nature .....	7
3.2.	Association initiation by real-world activity .....	7
3.2.1.	Real-world activity – Retrieve Request from External Node .....	7
3.2.2.	Real-world activity – Storage Commitment Request from External Node .....	8
3.3.	Association acceptance policy.....	9
3.3.1.	Real-world activity – Storage Request from External Node .....	9
3.3.2.	Real-world activity – Query/Retrieve Request from External Node .....	22
3.3.3.	Real-world activity – Storage Content Notification from External Node.....	25
3.3.4.	Real-world activity – Storage Commitment Request from External Node .....	25
3.3.5.	Real-world activity – Modality Performed Procedure Step N-CREATE / N-SET request from External Node	26
3.3.6.	Real-world activity – Modality Performed Procedure Step N-GET request from External Node .....	29
3.3.7.	Real-world activity – Modality Performed Procedure Step N-EVENT-REPORT request from External Node	31
<b>4.</b>	<b>Communication Profiles .....</b>	<b>32</b>
4.1.	Supported communication stacks .....	32
4.1.1.	OSI Stack.....	32
4.1.2.	TCP/IP Stack.....	32
4.1.3.	Point-to-Point Stack.....	32
<b>5.</b>	<b>Extensions/specializations/privatizations.....</b>	<b>32</b>
5.1.	Standard extended/specialized/private SOPs.....	32
5.2.	Private transfer syntaxes .....	32

# 1. Introduction

## 1.1. Purpose of this Document

This document specifies the conformance of the distributed image archive MEDxConnect M<sup>3</sup> SOLUTION to the DICOM 3.0 standard Business Issues

## 1.2. Related Documents

NEMA PS 3.1 -3.14 (2001), the DICOM Standard

# 2. Implementation Model

The DICOM server is implemented as a single Application Entity and provides the following features:

- it receives images sent by remote applications and stores them in a database
- it allows a remote system to query the database and to retrieve images
- it allows a remote system to get a commitment for the safekeeping of images it has stored
- it allows a remote system to retrieve information about scheduled procedure steps and all related entities
- it allows remote system to store and retrieve information about an imaging procedure step which a modality has done

The remote database access and image transfer functions are implemented using the DICOM storage and query/retrieve service classes.

The commitment for the safekeeping of images is implemented using the DICOM study content notification and the DICOM storage commitment service classes.

Functions providing access to the modality performed procedure step are implemented using the DICOM modality performed procedure step service class, the modality performed procedure step notification service class and the modality performed procedure step retrieve service class.

## 2.1. Application data flow diagram

The DICOM server behaves as a single application entity. The related implementation model is shown in the Figure 1.

## 2.2. Functional definitions of AE's

The DICOM server application entity acts as a service class provider of verification, storage, query/retrieve, study content notification, storage commitment and modality performed procedure step service classes.

The DICOM server application entity acts as a service class user of storage service class, query/retrieve service class, modality performed procedure step and modality performed procedure step notification service classes.

## 2.3. Sequencing of real-world activities

Not applicable.

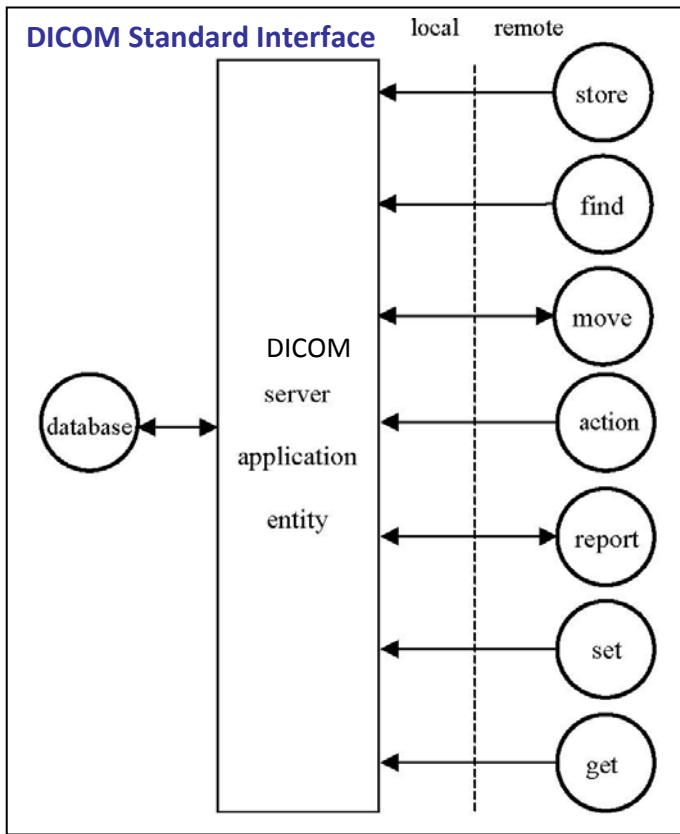


Figure 1: The DICOM implementation model

### 3. Application Entity specification

The DICOM Application Entity provides Standard Conformance to the following DICOM V3.0 Classes as SCU, Support for transfer, storage of DICOM files only and some SOP Classes in future releases:

SOP Class Name	SOP Class UID
Computed Radiography Image Storage	1.2.840.10008.5.1.4.1.1.1
Digital X-Ray Image Storage	1.2.840.10008.5.1.4.1.1.1
Digital Mammography X-Ray Storage	1.2.840.10008.5.1.4.1.1.2
Digital Dental X-Ray Storage	1.2.840.10008.5.1.4.1.1.3
CT Image Storage	1.2.840.10008.5.1.4.1.1.2
Ultrasound Multi-Frame Image Storage (retired)	1.2.840.10008.5.1.4.1.1.3
Ultrasound Multi-Frame Image Storage	1.2.840.10008.5.1.4.1.1.3.1
MR Image Storage	1.2.840.10008.5.1.4.1.1.4
Enhanced MR Image Storage	1.2.840.10008.5.1.4.1.1.4.1
MR Spectroscopy Storage	1.2.840.10008.5.1.4.1.1.4.2

Nuclear Medicine Image Storage (retired)	1.2.840.10008.5.1.4.1.1.5
Nuclear Medicine Image Storage	1.2.840.10008.5.1.4.1.1.20
Ultrasound Image Storage (retired)	1.2.840.10008.5.1.4.1.1.6
Ultrasound Image Storage	1.2.840.10008.5.1.4.1.1.6.1
Secondary Capture Image Storage	1.2.840.10008.5.1.4.1.1.7
X-Ray Angiographic Single-Plane Image Storage	1.2.840.10008.5.1.4.1.1.12.1
X-Ray Radiofluoroscopic Image Storage	1.2.840.10008.5.1.4.1.1.12.2
X-Ray Angiographic Bi-Plane Image Storage	1.2.840.10008.5.1.4.1.1.12.3
PET Image Storage	1.2.840.10008.5.1.4.1.1.128
Visible Light Endoscopic Image Storage	1.2.840.10008.5.1.4.1.1.77.1.1
Visible Light Microscopic Image Storage	1.2.840.10008.5.1.4.1.1.77.1.2
Visible Light Slide Coordinates Microscopic Image Storage	1.2.840.10008.5.1.4.1.1.77.1.3
Visible Light Photographic Image Storage	1.2.840.10008.5.1.4.1.1.77.1.4
RT Image Storage	1.2.840.10008.5.1.4.1.1.481.1
RT Dose Storage	1.2.840.10008.5.1.4.1.1.481.2
RT Structure Set Storage	1.2.840.10008.5.1.4.1.1.481.3
RT Beams Treatment Record Storage	1.2.840.10008.5.1.4.1.1.481.4
RT Plan Storage	1.2.840.10008.5.1.4.1.1.481.5
RT Brachy Treatment Record Storage	1.2.840.10008.5.1.4.1.1.481.6
RT Treatment Summary Record Storage	1.2.840.10008.5.1.4.1.1.481.7
Grayscale Softcopy Presentation State Storage	1.2.840.10008.5.1.4.1.1.11.1
Basic Text SR	1.2.840.10008.5.1.4.1.1.88.11
Enhanced Text SR	1.2.840.10008.5.1.4.1.1.88.22
Comprehensive Text SR	1.2.840.10008.5.1.4.1.1.88.33
Key Object Selection Document Storage	1.2.840.10008.5.1.4.1.1.88.59
Allegro CT Image Storage	2.16.124.11.3531.2.0.0
Allegro MR Image Storage	2.16.124.11.3531.2.0.1
Allegro 3D Image Storage	2.16.124.11.3531.2.0.2
Study Root Query/Retrieve Information Model – MOVE	2.16.124.11.3531.2.1.2
Modality Performed Procedure Step	1.2.840.10008.3.1.2.3.3
Modality Performed Procedure Step Notification	1.2.840.10008.3.1.2.3.5

**Table 1: Supported SOP classes by the DICOM server as SCU**

The DICOM Application Entity provides Standard Conformance to the following DICOM V3.0 Classes as SCP:

SOP Class Name	SOP Class UID
Verification SOP Class	1.2.840.10008.1.1
Computed Radiography Image Storage	1.2.840.10008.5.1.4.1.1.1
Digital X-Ray Image Storage	1.2.840.10008.5.1.4.1.1.1.1
Digital Mammography X-Ray Storage	1.2.840.10008.5.1.4.1.1.1.2
Digital Dental X-Ray Storage	1.2.840.10008.5.1.4.1.1.1.3
CT Image Storage	1.2.840.10008.5.1.4.1.1.2
Ultrasound Multi-Frame Image Storage (retired)	1.2.840.10008.5.1.4.1.1.3
Ultrasound Multi-Frame Image Storage	1.2.840.10008.5.1.4.1.1.3.1
MR Image Storage	1.2.840.10008.5.1.4.1.1.4
Enhanced MR Image Storage	1.2.840.10008.5.1.4.1.1.4.1
MR Spectroscopy Storage	1.2.840.10008.5.1.4.1.1.4.2
Nuclear Medicine Image Storage (retired)	1.2.840.10008.5.1.4.1.1.5
Nuclear Medicine Image Storage	1.2.840.10008.5.1.4.1.1.20
Ultrasound Image Storage (retired)	1.2.840.10008.5.1.4.1.1.6
Ultrasound Image Storage	1.2.840.10008.5.1.4.1.1.6.1
Secondary Capture Image Storage	1.2.840.10008.5.1.4.1.1.7
X-Ray Angiographic Single-Plane Image Storage	1.2.840.10008.5.1.4.1.1.12.1
X-Ray Radiofluoroscopic Image Storage	1.2.840.10008.5.1.4.1.1.12.2
X-Ray Angiographic Bi-Plane Image Storage	1.2.840.10008.5.1.4.1.1.12.3
PET Image Storage	1.2.840.10008.5.1.4.1.1.128
Visible Light Endoscopic Image Storage	1.2.840.10008.5.1.4.1.1.77.1.1
Visible Light Microscopic Image Storage	1.2.840.10008.5.1.4.1.1.77.1.2
Visible Light Microscopic Coordinates Image Storage	1.2.840.10008.5.1.4.1.1.77.1.3
Visible Light Photographic Image Storage	1.2.840.10008.5.1.4.1.1.77.1.4
RT Image Storage	1.2.840.10008.5.1.4.1.1.481.1
RT Dose Storage	1.2.840.10008.5.1.4.1.1.481.2
RT Structure Set Storage	1.2.840.10008.5.1.4.1.1.481.3
RT Beams Treatment Record Storage	1.2.840.10008.5.1.4.1.1.481.4
RT Plan Storage	1.2.840.10008.5.1.4.1.1.481.5
RT Brachy Treatment Record Storage	1.2.840.10008.5.1.4.1.1.481.6
RT Treatment Summary Record Storage	1.2.840.10008.5.1.4.1.1.481.7
Grayscale Softcopy Presentation State Storage	1.2.840.10008.5.1.4.1.1.11.1
Basic Text SR	1.2.840.10008.5.1.4.1.1.88.11

Enhanced Text SR	1.2.840.10008.5.1.4.1.1.88.22
Comprehensive Text SR	1.2.840.10008.5.1.4.1.1.88.33
Key Object Selection Document Storage	1.2.840.10008.5.1.4.1.1.88.59
Allegro CT Image Storage	2.16.124.11.3531.2.0.0
Allegro MR Image Storage	2.16.124.11.3531.2.0.1
Allegro 3D Image Storage	2.16.124.11.3531.2.0.2
Patient Root Query/Retrieve Information Model – FIND	1.2.840.10008.5.1.4.1.2.1.1
Patient Root Query/Retrieve Information Model – MOVE	1.2.840.10008.5.1.4.1.2.1.2
Study Root Query/Retrieve Information Model – FIND	1.2.840.10008.5.1.4.1.2.2.1
Study Root Query/Retrieve Information Model – MOVE	1.2.840.10008.5.1.4.1.2.2.2
Basic Study Content Notification	1.2.840.10008.1.9
Storage Commitment Push Model	1.2.840.10008.1.20.1
Storage Commitment Pull Model	1.2.840.10008.1.20.2
Modality Performed Procedure Step Retrieve	1.2.840.10008.3.1.2.3.4

**Table 2: Supported SOP classes by the DICOM server as SCP**

### 3.1. Association establishment policies

#### 3.1.1. General

In order to provide the Query/Retrieve Service Classes listed in table 2 above, the DICOM server will initiate associations over the Storage Service Classes listed in table 1. In order to provide the Storage Commitment Model Pull Service Class listed in table 2 above, the DICOM server will attempt to initiate an association over the Study Root Query/Retrieve Information Model – MOVE Service Class. If the DICOM server has been configured for working over two separate associations it will also attempt to initiate an association over the Storage Commitment Model Pull Service Class.

The DICOM server will accept associations in order to provide Service Classes listed in table 2 above.

#### 3.1.2. Number of associations

The DICOM server will spawn a new process for each association request that it receives. The number of simultaneous associations, which will be accepted by the DICOM server, are limited only by the kernel parameters of the underlying operating system.

#### 3.1.3. Asynchronous nature

Not applicable.

The DICOM server will provide an implementation class UID which is XXXXX, and an implementation version name of YYYYYY.

### 3.2. Association initiation by real-world activity

#### 3.2.1. Real-world activity -Retrieve Request from External Node

#### 3.2.1.1. Associated real-world activity

If an application successfully establishes an association with the DICOM server and makes a valid C-MOVE request that identifies one or more images known to its database, the DICOM server will initiate an association with the destination specified in the C-MOVE request.

#### 3.2.1.2. Proposed presentation contexts

In response to a C-MOVE request, the DICOM server builds a list of images to be moved. The DICOM server proposes the presentation context as needed. The presentation context includes an abstract syntax that corresponds to the SOP Class UID and the transfer syntax of the image to be transferred. What transfer syntax values the DICOM server will propose, depends on its configuration and on the generic transfer syntax of the image to be send. The DICOM server provides output filter to support the decompression of JPEG encoded DICOM images during export according to the C-MOVE request. If no JPEG filter has been activated, the generic transfer syntax of the image in question will be used. The implicit little Endean transfer syntax will additionally be proposed for lossy compressed and explicit little Endean formatted images. If the lossless JPEG compression filter has been activated, the default transfer syntax for lossless JPEG compressed images and the little Endean implicit transfer syntax will be proposed. For lossy JPEG compressed images only the generic transfer syntax will still be proposed. If the lossy JPEG compression filter has been activated, the default transfer syntax for lossy JPEG compression for 8/16 bit images will be proposed. If the destination specified in the C-MOVE request is not able to support the proposed presentation context, the images are converted to Secondary Capture Images. Multi Frame Image are converted to multiple Secondary Capture Images each containing one single frame. The Image Number in this case is incremented automatically.

##### 3.2.1.2.1. SOP specific conformance statement

The DICOM server does not attempt any extended negotiation nor delete any elements from the files it transfers. The DICOM server sends only the final C-MOVE response message.

### 3.2.2. Real-world activity – Storage Commitment Request from External Node

#### 3.2.2.1. Associated real-world activity

If an application successfully establishes an association with the DICOM server and makes a valid NACTION request to initiate the Storage Commitment Model Pull service class, the DICOM server will look up at its database to check if the request contains images it does not know. If so, it will attempt to initialize an association with the Application Entity the SCU specifies and send the C-MOVE request to retrieve all missing images. If the server has been configured for working over two separate associations, it will attempt to initialize a second association with the Storage Commitment SCU and send the appropriate notification using the N-EVENT-Report protocol.

#### 3.2.2.2. Proposed presentation contexts

The DICOM server will propose an association over Study Root Query/Retrieve Information Model – MOVE and Implicit VR Little Endean Transfer Syntax. The DICOM server will propose an association over Storage Commitment Model Pull Service Class and Implicit VR Little Endean Transfer Syntax.

##### 3.2.2.2.1. SOP specific conformance statement

The DICOM server does not attempt any extended negotiation.

### 3.3. Association acceptance policy

The DICOM server accepts associations for the purpose of storing images in its database, performing query/retrieve operations on the images that have been previously stored and providing commitment for safekeeping of them.

The DICOM server accepts associations to provide information about the scheduled procedure steps and all related entities previously stored in its database.

The DICOM server accepts associations to be notified about the performed real world imaging procedure steps as well as to provide information it has about.

The number of AE Titles that are allowed to connect to the DICOM server is limited by a license.

#### 3.3.1. Real-world activity – Storage Request from External Node

The DICOM server accepts associations from nodes that wish to store images using the C-STORE command.

##### 3.3.1.1. Associated real world activity

The associated real-world activity is the storage of the image on the storage medium. The data set of the CSTORE command is stored with no loss of information. The DICOM server will issue a failure status if it is unable to store the image on the storage medium or unable to announce it to the database.

##### 3.3.1.2. Presentation context table

Any of the Presentation Contexts shown in the TABLE 3 are acceptable for the DICOM server for receiving storage objects.

Abstract Syntax Name	Abstract Syntax UID	Transfer Syntax Name	Transfer Syntax UID	Role	Extended Negotiation
Computed Radiography Image Storage	1.2.840.10008.5.1.4.1.1.1	DICOM Implicit VR Little Endian	1.2.840.10008.1.2	SCP	None
Computed Radiography Image Storage	1.2.840.10008.5.1.4.1.1.1	DICOM Explicit VR Little Endian	1.2.840.10008.1.2.1	SCP	None
Computed Radiography Image Storage	1.2.840.10008.5.1.4.1.1.1	JPEG Baseline Process 1	1.2.840.10008.1.2.4.50	SCP	None
Computed Radiography Image Storage	1.2.840.10008.5.1.4.1.1.1	JPEG Extended Process 2 & 4	1.2.840.10008.1.2.4.51	SCP	None
Computed Radiography Image Storage	1.2.840.10008.5.1.4.1.1.1	JPEG Lossless Proc. 14, Value 1	1.2.840.10008.1.2.4.70	SCP	None
Computed Radiography Image Storage	1.2.840.10008.5.1.4.1.1.1	JPEG 2000 Lossless	1.2.840.10008.1.2.4.90	SCP	None
Computed Radiography Image Storage	1.2.840.10008.5.1.4.1.1.1	JPEG 2000 Lossless or Lossy	1.2.840.10008.1.2.4.91	SCP	None
Digital X-Ray Image Storage	1.2.840.10008.5.1.4.1.1.1.1	DICOM Implicit VR Little Endian	1.2.840.10008.1.2	SCP	None
Digital X-Ray Image Storage	1.2.840.10008.5.1.4.1.1.1.1	DICOM Explicit VR Little Endian	1.2.840.10008.1.2.1	SCP	None

Digital X-Ray Image Storage	1.2.840.10008.5.1.4.1.1.1.1	JPEG Baseline Process 1	1.2.840.10008.1.2.4.50	SCP	None
Digital X-Ray Image Storage	1.2.840.10008.5.1.4.1.1.1.1	JPEG Extended Process 2 & 4	1.2.840.10008.1.2.4.51	SCP	None
Digital X-Ray Image Storage	1.2.840.10008.5.1.4.1.1.1.1	JPEG Lossless Proc. 14, Value 1	1.2.840.10008.1.2.4.70	SCP	None
Digital X-Ray Image Storage	1.2.840.10008.5.1.4.1.1.1.1	JPEG 2000 Lossless	1.2.840.10008.1.2.4.90	SCP	None
Digital X-Ray Image Storage	1.2.840.10008.5.1.4.1.1.1.1	JPEG 2000 Lossless or Lossy	1.2.840.10008.1.2.4.91	SCP	None
Digital Mammography X-Ray Image Storage	1.2.840.10008.5.1.4.1.1.1.2	DICOM Implicit VR Little Endian	1.2.840.10008.1.2	SCP	None
Digital Mammography X-Ray Image Storage	1.2.840.10008.5.1.4.1.1.1.2	DICOM Explicit VR Little Endian	1.2.840.10008.1.2.1	SCP	None
Digital Mammography X-Ray Image Storage	1.2.840.10008.5.1.4.1.1.1.2	JPEG Baseline Process 1	1.2.840.10008.1.2.4.50	SCP	None
Digital Mammography X-Ray Image Storage	1.2.840.10008.5.1.4.1.1.1.2	JPEG Extended Process 2 & 4	1.2.840.10008.1.2.4.51	SCP	None
Digital Mammography X-Ray Image Storage	1.2.840.10008.5.1.4.1.1.1.2	JPEG Lossless Proc. 14, Value 1	1.2.840.10008.1.2.4.70	SCP	None
Digital Mammography X-Ray Image Storage	1.2.840.10008.5.1.4.1.1.1.2	JPEG 2000 Lossless	1.2.840.10008.1.2.4.90	SCP	None
Digital Mammography X-Ray Image Storage	1.2.840.10008.5.1.4.1.1.1.2	JPEG 2000 Lossless or Lossy	1.2.840.10008.1.2.4.91	SCP	None
Digital Dental X-Ray Image Storage	1.2.840.10008.5.1.4.1.1.1.3	DICOM Implicit VR Little Endian	1.2.840.10008.1.2	SCP	None
Digital Dental X-Ray Image Storage	1.2.840.10008.5.1.4.1.1.1.3	DICOM Explicit VR Little Endian	1.2.840.10008.1.2.1	SCP	None
Digital Dental X-Ray Image Storage	1.2.840.10008.5.1.4.1.1.1.3	JPEG Baseline Process 1	1.2.840.10008.1.2.4.50	SCP	None
Digital Dental X-Ray Image Storage	1.2.840.10008.5.1.4.1.1.1.3	JPEG Extended Process 2 & 4	1.2.840.10008.1.2.4.51	SCP	None
Digital Dental X-Ray Image Storage	1.2.840.10008.5.1.4.1.1.1.3	JPEG Lossless Proc. 14, Value 1	1.2.840.10008.1.2.4.70	SCP	None

Digital Dental X-Ray Image Storage	1.2.840.10008.5.1.4.1.1.1.3	JPEG 2000 Lossless	1.2.840.10008.1.2.4.90	SCP	None
Digital Dental X-Ray Image Storage	1.2.840.10008.5.1.4.1.1.1.3	JPEG 2000 Lossless or Lossy	1.2.840.10008.1.2.4.91	SCP	None
CT Image	1.2.840.10008.5.1.4.1.1.2	DICOM Implicit VR Little Endian	1.2.840.10008.1.2	SCP	None
CT Image	1.2.840.10008.5.1.4.1.1.2	DICOM Explicit VR Little Endian	1.2.840.10008.1.2.1	SCP	None
CT Image	1.2.840.10008.5.1.4.1.1.2	JPEG Baseline Process 1	1.2.840.10008.1.2.4.50	SCP	None
CT Image	1.2.840.10008.5.1.4.1.1.2	JPEG Extended Process 2 & 4	1.2.840.10008.1.2.4.51	SCP	None
CT Image	1.2.840.10008.5.1.4.1.1.2	JPEG Lossless Proc. 14, Value 1	1.2.840.10008.1.2.4.70	SCP	None
CT Image	1.2.840.10008.5.1.4.1.1.2	JPEG 2000 Lossless	1.2.840.10008.1.2.4.90	SCP	None
CT Image	1.2.840.10008.5.1.4.1.1.2	JPEG 2000 Lossless or Lossy	1.2.840.10008.1.2.4.91	SCP	None
Ultrasound Multi Frame Image Storage (retired)	1.2.840.10008.5.1.4.1.1.3	DICOM Implicit VR Little Endian	1.2.840.10008.1.2	SCP	None
Ultrasound Multi Frame Image Storage (retired)	1.2.840.10008.5.1.4.1.1.3	DICOM Explicit VR Little Endian	1.2.840.10008.1.2.1	SCP	None
Ultrasound Multi Frame Image Storage (retired)	1.2.840.10008.5.1.4.1.1.3	JPEG Baseline Process 1	1.2.840.10008.1.2.4.50	SCP	None
Ultrasound Multi Frame Image Storage (retired)	1.2.840.10008.5.1.4.1.1.3	JPEG Extended Process 2 & 4	1.2.840.10008.1.2.4.51	SCP	None
Ultrasound Multi Frame Image Storage (retired)	1.2.840.10008.5.1.4.1.1.3	JPEG Lossless Proc. 14, Value 1	1.2.840.10008.1.2.4.70	SCP	None

Ultrasound Multi Frame Image Storage (retired)	1.2.840.10008.5.1.4.1.1.3	JPEG 2000 Lossless	1.2.840.10008.1.2.4.90	SCP	None
Ultrasound Multi Frame Image Storage (retired)	1.2.840.10008.5.1.4.1.1.3	JPEG 2000 Lossless or Lossy	1.2.840.10008.1.2.4.91	SCP	None
Ultrasound Multi Frame Image Storage	1.2.840.10008.5.1.4.1.1.3.1	DICOM Implicit VR Little Endian	1.2.840.10008.1.2	SCP	None
Ultrasound Multi Frame Image Storage	1.2.840.10008.5.1.4.1.1.3.1	DICOM Explicit VR Little Endian	1.2.840.10008.1.2.1	SCP	None
Ultrasound Multi Frame Image Storage	1.2.840.10008.5.1.4.1.1.3.1	JPEG Baseline Process 1	1.2.840.10008.1.2.4.50	SCP	None
Ultrasound Multi Frame Image Storage	1.2.840.10008.5.1.4.1.1.3.1	JPEG Extended Process 2 & 4	1.2.840.10008.1.2.4.51	SCP	None
Ultrasound Multi Frame Image Storage	1.2.840.10008.5.1.4.1.1.3.1	JPEG Lossless Proc. 14, Value 1	1.2.840.10008.1.2.4.70	SCP	None
Ultrasound Multi Frame Image Storage	1.2.840.10008.5.1.4.1.1.3.1	JPEG 2000 Lossless	1.2.840.10008.1.2.4.90	SCP	None
Ultrasound Multi Frame Image Storage	1.2.840.10008.5.1.4.1.1.3.1	JPEG 2000 Lossless or Lossy	1.2.840.10008.1.2.4.91	SCP	None
MR Image Storage	1.2.840.10008.5.1.4.1.1.4	DICOM Implicit VR Little Endian	1.2.840.10008.1.2	SCP	None
MR Image Storage	1.2.840.10008.5.1.4.1.1.4	DICOM Explicit VR Little Endian	1.2.840.10008.1.2.1	SCP	None
MR Image Storage	1.2.840.10008.5.1.4.1.1.4	JPEG Baseline Process 1	1.2.840.10008.1.2.4.50	SCP	None
MR Image Storage	1.2.840.10008.5.1.4.1.1.4	JPEG Extended Process 2 & 4	1.2.840.10008.1.2.4.51	SCP	None
MR Image Storage	1.2.840.10008.5.1.4.1.1.4	JPEG Lossless Proc. 14, Value 1	1.2.840.10008.1.2.4.70	SCP	None

MR Image Storage	1.2.840.10008.5.1.4.1.1.4	JPEG 2000 Lossless	1.2.840.10008.1.2.4.90	SCP	None
MR Image Storage	1.2.840.10008.5.1.4.1.1.4	JPEG 2000 Lossless or Lossy	1.2.840.10008.1.2.4.91	SCP	None
Enhanced MR Image Storage	1.2.840.10008.5.1.4.1.1.4.1	DICOM Implicit VR Little Endian	1.2.840.10008.1.2	SCP	None
Enhanced MR Image Storage	1.2.840.10008.5.1.4.1.1.4.1	DICOM Explicit VR Little Endian	1.2.840.10008.1.2.1	SCP	None
Enhanced MR Image Storage	1.2.840.10008.5.1.4.1.1.4.1	JPEG Baseline Process 1	1.2.840.10008.1.2.4.50	SCP	None
Enhanced MR Image Storage	1.2.840.10008.5.1.4.1.1.4.1	JPEG Extended Process 2 & 4	1.2.840.10008.1.2.4.51	SCP	None
Enhanced MR Image Storage	1.2.840.10008.5.1.4.1.1.4.1	JPEG Lossless Proc. 14, Value 1	1.2.840.10008.1.2.4.70	SCP	None
Enhanced MR Image Storage	1.2.840.10008.5.1.4.1.1.4.1	JPEG 2000 Lossless	1.2.840.10008.1.2.4.90	SCP	None
Enhanced MR Image Storage	1.2.840.10008.5.1.4.1.1.4.1	JPEG 2000 Lossless or Lossy	1.2.840.10008.1.2.4.91	SCP	None
MR Spectroscopy Storage	1.2.840.10008.5.1.4.1.1.4.2	DICOM Implicit VR Little Endian	1.2.840.10008.1.2	SCP	None
MR Spectroscopy Storage	1.2.840.10008.5.1.4.1.1.4.2	DICOM Explicit VR Little Endian	1.2.840.10008.1.2.1	SCP	None
Nuclear Medicine Image Storage (retired)	1.2.840.10008.5.1.4.1.1.5	DICOM Implicit VR Little Endian	1.2.840.10008.1.2	SCP	None
Nuclear Medicine Image Storage (retired)	1.2.840.10008.5.1.4.1.1.5	DICOM Explicit VR Little Endian	1.2.840.10008.1.2.1	SCP	None
Nuclear Medicine Image Storage (retired)	1.2.840.10008.5.1.4.1.1.5	JPEG Baseline Process 1	1.2.840.10008.1.2.4.50	SCP	None

Nuclear Medicine Image Storage (retired)	1.2.840.10008.5.1.4.1.1.5	JPEG Extended Process 2 & 4	1.2.840.10008.1.2.4.51	SCP	None
Nuclear Medicine Image Storage (retired)	1.2.840.10008.5.1.4.1.1.5	JPEG Lossless Proc. 14, Value 1	1.2.840.10008.1.2.4.70	SCP	None
Nuclear Medicine Image Storage (retired)	1.2.840.10008.5.1.4.1.1.5	JPEG 2000 Lossless	1.2.840.10008.1.2.4.90	SCP	None
Nuclear Medicine Image Storage (retired)	1.2.840.10008.5.1.4.1.1.5	JPEG 2000 Lossless or Lossy	1.2.840.10008.1.2.4.91	SCP	None
Nuclear Medicine Image Storage	1.2.840.10008.5.1.4.1.1.20	DICOM Implicit VR Little Endian	1.2.840.10008.1.2	SCP	None
Nuclear Medicine Image Storage	1.2.840.10008.5.1.4.1.1.20	DICOM Explicit VR Little Endian	1.2.840.10008.1.2.1	SCP	None
Nuclear Medicine Image Storage	1.2.840.10008.5.1.4.1.1.20	JPEG Baseline Process 1	1.2.840.10008.1.2.4.50	SCP	None
Nuclear Medicine Image Storage	1.2.840.10008.5.1.4.1.1.20	JPEG Extended Process 2 & 4	1.2.840.10008.1.2.4.51	SCP	None
Nuclear Medicine Image Storage	1.2.840.10008.5.1.4.1.1.20	JPEG Lossless Proc. 14, Value 1	1.2.840.10008.1.2.4.70	SCP	None
Nuclear Medicine Image Storage	1.2.840.10008.5.1.4.1.1.20	JPEG 2000 Lossless	1.2.840.10008.1.2.4.90	SCP	None
Nuclear Medicine Image Storage	1.2.840.10008.5.1.4.1.1.20	JPEG 2000 Lossless or Lossy	1.2.840.10008.1.2.4.91	SCP	None
Ultrasound Image (retired)	1.2.840.10008.5.1.4.1.1.6	DICOM Implicit VR Little Endian	1.2.840.10008.1.2	SCP	None
Ultrasound Image (retired)	1.2.840.10008.5.1.4.1.1.6	DICOM Explicit VR Little Endian	1.2.840.10008.1.2.1	SCP	None
Ultrasound Image (retired)	1.2.840.10008.5.1.4.1.1.6	JPEG Baseline Process 1	1.2.840.10008.1.2.4.50	SCP	None
Ultrasound Image (retired)	1.2.840.10008.5.1.4.1.1.6	JPEG Extended Process 2 & 4	1.2.840.10008.1.2.4.51	SCP	None

Ultrasound Image (retired)	1.2.840.10008.5.1.4.1.1.6	JPEG Lossless Proc. 14, Value 1	1.2.840.10008.1.2.4.70	SCP	None
Ultrasound Image (retired)	1.2.840.10008.5.1.4.1.1.6	JPEG 2000 Lossless	1.2.840.10008.1.2.4.90	SCP	None
Ultrasound Image (retired)	1.2.840.10008.5.1.4.1.1.6	JPEG 2000 Lossless or Lossy	1.2.840.10008.1.2.4.91	SCP	None
Ultrasound Image	1.2.840.10008.5.1.4.1.1.6.1	DICOM Implicit VR Little Endian	1.2.840.10008.1.2	SCP	None
Ultrasound Image	1.2.840.10008.5.1.4.1.1.6.1	DICOM Explicit VR Little Endian	1.2.840.10008.1.2.1	SCP	None
Ultrasound Image	1.2.840.10008.5.1.4.1.1.6.1	JPEG Baseline Process 1	1.2.840.10008.1.2.4.50	SCP	None
Ultrasound Image	1.2.840.10008.5.1.4.1.1.6.1	JPEG Extended Process 2 & 4	1.2.840.10008.1.2.4.51	SCP	None
Ultrasound Image	1.2.840.10008.5.1.4.1.1.6.1	JPEG Lossless Proc. 14, Value 1	1.2.840.10008.1.2.4.70	SCP	None
Ultrasound Image	1.2.840.10008.5.1.4.1.1.6.1	JPEG 2000 Lossless	1.2.840.10008.1.2.4.90	SCP	None
Ultrasound Image	1.2.840.10008.5.1.4.1.1.6.1	JPEG 2000 Lossless or Lossy	1.2.840.10008.1.2.4.91	SCP	None
Secondary Capture Image	1.2.840.10008.5.1.4.1.1.7	DICOM Implicit VR Little Endian	1.2.840.10008.1.2	SCP	None
Secondary Capture Image	1.2.840.10008.5.1.4.1.1.7	DICOM Explicit VR Little Endian	1.2.840.10008.1.2.1	SCP	None
Secondary Capture Image	1.2.840.10008.5.1.4.1.1.7	JPEG Baseline Process 1	1.2.840.10008.1.2.4.50	SCP	None
Secondary Capture Image	1.2.840.10008.5.1.4.1.1.7	JPEG Extended Process 2 & 4	1.2.840.10008.1.2.4.51	SCP	None
Secondary Capture Image	1.2.840.10008.5.1.4.1.1.7	JPEG Lossless Proc. 14, Value 1	1.2.840.10008.1.2.4.70	SCP	None
Secondary Capture Image	Secondary Capture Image	JPEG 2000 Lossless	1.2.840.10008.1.2.4.90	SCP	None
Secondary Capture Image	Secondary Capture Image	JPEG 2000 Lossless or Lossy	1.2.840.10008.1.2.4.91	SCP	None
X-Ray Angiographic Single-Plane Image	1.2.840.10008.5.1.4.1.1.12.1	DICOM Implicit VR Little Endian	1.2.840.10008.1.2	SCP	None
X-Ray Angiographic Single-Plane Image	1.2.840.10008.5.1.4.1.1.12.1	DICOM Explicit VR Little Endian	1.2.840.10008.1.2.1	SCP	None
X-Ray Angiographic Single-Plane Image	1.2.840.10008.5.1.4.1.1.12.1	JPEG Baseline Process 1	1.2.840.10008.1.2.4.50	SCP	None

X-Ray Angiographic Single-Plane Image	1.2.840.10008.5.1.4.1.1.12.1	JPEG Extended Process 2 & 4	1.2.840.10008.1.2.4.51	SCP	None
X-Ray Angiographic Single-Plane Image	1.2.840.10008.5.1.4.1.1.12.1	JPEG Lossless Proc. 14, Value 1	1.2.840.10008.1.2.4.70	SCP	None
X-Ray Angiographic Single-Plane Image	1.2.840.10008.5.1.4.1.1.12.1	JPEG 2000 Lossless	1.2.840.10008.1.2.4.90	SCP	None
X-Ray Angiographic Single-Plane Image	1.2.840.10008.5.1.4.1.1.12.1	JPEG 2000 Lossless or Lossy	1.2.840.10008.1.2.4.91	SCP	None
X-Ray Radiofluoroscopic Image	1.2.840.10008.5.1.4.1.1.12.2	DICOM Implicit VR Little Endian	1.2.840.10008.1.2	SCP	None
X-Ray Radiofluoroscopic Image	1.2.840.10008.5.1.4.1.1.12.2	DICOM Explicit VR Little Endian	1.2.840.10008.1.2.1	SCP	None
X-Ray Radiofluoroscopic Image	1.2.840.10008.5.1.4.1.1.12.2	JPEG Baseline Process 1	1.2.840.10008.1.2.4.50	SCP	None
X-Ray Radiofluoroscopic Image	1.2.840.10008.5.1.4.1.1.12.2	JPEG Extended Process 2 & 4	1.2.840.10008.1.2.4.51	SCP	None
X-Ray Radiofluoroscopic Image	1.2.840.10008.5.1.4.1.1.12.2	JPEG Lossless Proc. 14, Value 1	1.2.840.10008.1.2.4.70	SCP	None
X-Ray Radiofluoroscopic Image	1.2.840.10008.5.1.4.1.1.12.2	JPEG 2000 Lossless	1.2.840.10008.1.2.4.90	SCP	None
X-Ray Radiofluoroscopic Image	1.2.840.10008.5.1.4.1.1.12.2	JPEG 2000 Lossless or Lossy	1.2.840.10008.1.2.4.91	SCP	None
X-Ray Angiographic Bi-Plane Image	1.2.840.10008.5.1.4.1.1.12.3	DICOM Implicit VR Little Endian	1.2.840.10008.1.2	SCP	None
X-Ray Angiographic Bi-Plane Image	1.2.840.10008.5.1.4.1.1.12.3	DICOM Explicit VR Little Endian	1.2.840.10008.1.2.1	SCP	None
X-Ray Angiographic Bi-Plane Image	1.2.840.10008.5.1.4.1.1.12.3	JPEG Baseline Process 1	1.2.840.10008.1.2.4.50	SCP	None
X-Ray Angiographic Bi-Plane Image	1.2.840.10008.5.1.4.1.1.12.3	JPEG Extended Process 2 & 4	1.2.840.10008.1.2.4.51	SCP	None
X-Ray Angiographic Bi-Plane Image	1.2.840.10008.5.1.4.1.1.12.3	JPEG Lossless Proc. 14, Value 1	1.2.840.10008.1.2.4.70	SCP	None
X-Ray Angiographic Bi-Plane Image	1.2.840.10008.5.1.4.1.1.12.3	JPEG 2000 Lossless	1.2.840.10008.1.2.4.90	SCP	None

X-Ray Angiographic Bi-Plane Image	1.2.840.10008.5.1.4.1.1.12.3	JPEG 2000 Lossless or Lossy	1.2.840.10008.1.2.4.91	SCP	None
PET Image Storage	1.2.840.10008.5.1.4.1.1.128	DICOM Implicit VR Little Endian	1.2.840.10008.1.2	SCP	None
PET Image Storage	1.2.840.10008.5.1.4.1.1.128	DICOM Explicit VR Little Endian	1.2.840.10008.1.2.1	SCP	None
PET Image Storage	1.2.840.10008.5.1.4.1.1.128	JPEG Baseline Process 1	1.2.840.10008.1.2.4.50	SCP	None
PET Image Storage	1.2.840.10008.5.1.4.1.1.128	JPEG Extended Process 2 & 4	1.2.840.10008.1.2.4.51	SCP	None
PET Image Storage	1.2.840.10008.5.1.4.1.1.128	JPEG Lossless Proc. 14, Value 1	1.2.840.10008.1.2.4.70	SCP	None
PET Image Storage	1.2.840.10008.5.1.4.1.1.128	JPEG 2000 Lossless	1.2.840.10008.1.2.4.90	SCP	None
PET Image Storage	1.2.840.10008.5.1.4.1.1.128	JPEG 2000 Lossless or Lossy	1.2.840.10008.1.2.4.91	SCP	None
Visible Light Endoscopic Image Storage	1.2.840.10008.5.1.4.1.1.77.1.1	DICOM Implicit VR Little Endian	1.2.840.10008.1.2	SCP	None
Visible Light Endoscopic Image Storage	1.2.840.10008.5.1.4.1.1.77.1.1	DICOM Explicit VR Little Endian	1.2.840.10008.1.2.1	SCP	None
Visible Light Endoscopic Image Storage	1.2.840.10008.5.1.4.1.1.77.1.1	JPEG Baseline Process 1	1.2.840.10008.1.2.4.50	SCP	None
Visible Light Endoscopic Image Storage	1.2.840.10008.5.1.4.1.1.77.1.1	JPEG Baseline Process 2 & 4	1.2.840.10008.1.2.4.51	SCP	None
Visible Light Endoscopic Image Storage	1.2.840.10008.5.1.4.1.1.77.1.1	JPEG Lossless Process 14	1.2.840.10008.1.2.4.70	SCP	None
Visible Light Endoscopic Image Storage	1.2.840.10008.5.1.4.1.1.77.1.1	JPEG 2000 Lossless	1.2.840.10008.1.2.4.90	SCP	None
Visible Light Endoscopic Image Storage	1.2.840.10008.5.1.4.1.1.77.1.1	JPEG 2000 Lossless or Lossy	1.2.840.10008.1.2.4.91	SCP	None
Visible Light Microscopic Image Storage	1.2.840.10008.5.1.4.1.1.77.1.2	DICOM Implicit VR Little Endian	1.2.840.10008.1.2	SCP	None
Visible Light Microscopic Image Storage	1.2.840.10008.5.1.4.1.1.77.1.2	DICOM Explicit VR Little Endian	1.2.840.10008.1.2.1	SCP	None
Visible Light Microscopic Image Storage	1.2.840.10008.5.1.4.1.1.77.1.2	JPEG Baseline Process 1	1.2.840.10008.1.2.4.50	SCP	None

Visible Light Microscopic Image Storage	1.2.840.10008.5.1.4.1.1.77.1.2	JPEG Baseline Process 2 & 4	1.2.840.10008.1.2.4.51	SCP	None
Visible Light Microscopic Image Storage	1.2.840.10008.5.1.4.1.1.77.1.2	JPEG Lossless Process 14	1.2.840.10008.1.2.4.70	SCP	None
Visible Light Microscopic Image Storage	1.2.840.10008.5.1.4.1.1.77.1.2	JPEG 2000 Lossless	1.2.840.10008.1.2.4.90	SCP	None
Visible Light Microscopic Image Storage	1.2.840.10008.5.1.4.1.1.77.1.2	JPEG 2000 Lossless or Lossy	1.2.840.10008.1.2.4.91	SCP	None
Visible Light Microscopic Coordinates Image Storage	1.2.840.10008.5.1.4.1.1.77.1.3	DICOM Implicit VR Little Endian	1.2.840.10008.1.2	SCP	None
Visible Light Microscopic Image Storage	1.2.840.10008.5.1.4.1.1.77.1.3	DICOM Explicit VR Little Endian	1.2.840.10008.1.2.1	SCP	None
Visible Light Microscopic Image Storage	1.2.840.10008.5.1.4.1.1.77.1.3	JPEG Baseline Process 1	1.2.840.10008.1.2.4.50	SCP	None
Visible Light Microscopic Image Storage	1.2.840.10008.5.1.4.1.1.77.1.3	JPEG Baseline Process 2 & 4	1.2.840.10008.1.2.4.51	SCP	None
Visible Light Microscopic Image Storage	1.2.840.10008.5.1.4.1.1.77.1.3	JPEG Lossless Process 14	1.2.840.10008.1.2.4.70	SCP	None
Visible Light Microscopic Image Storage	1.2.840.10008.5.1.4.1.1.77.1.3	JPEG 2000 Lossless	1.2.840.10008.1.2.4.90	SCP	None
Visible Light Microscopic Image Storage	1.2.840.10008.5.1.4.1.1.77.1.3	JPEG 2000 Lossless or Lossy	1.2.840.10008.1.2.4.91	SCP	None
Visible Light Photographic Image Storage	1.2.840.10008.5.1.4.1.1.77.1.4	DICOM Implicit VR Little Endian	1.2.840.10008.1.2	SCP	None
Visible Light Photographic Image Storage	1.2.840.10008.5.1.4.1.1.77.1.4	DICOM Explicit VR Little Endian	1.2.840.10008.1.2.1	SCP	None
Visible Light Photographic Image Storage	1.2.840.10008.5.1.4.1.1.77.1.4	JPEG Baseline Process 1	1.2.840.10008.1.2.4.50	SCP	None
Visible Light Photographic Image Storage	1.2.840.10008.5.1.4.1.1.77.1.4	JPEG Baseline Process 2 & 4	1.2.840.10008.1.2.4.51	SCP	None
Visible Light Photographic Image Storage	1.2.840.10008.5.1.4.1.1.77.1.4	JPEG Lossless Process 14	1.2.840.10008.1.2.4.70	SCP	None
Visible Light Photographic Image Storage	1.2.840.10008.5.1.4.1.1.77.1.4	JPEG 2000 Lossless	1.2.840.10008.1.2.4.90	SCP	None
Visible Light Photographic Image Storage	1.2.840.10008.5.1.4.1.1.77.1.4	JPEG 2000 Lossless or Lossy	1.2.840.10008.1.2.4.91	SCP	None

RT Image Storage	1.2.840.10008.5.1.4.1.1.481.1	DICOM Implicit VR Little Endian	1.2.840.10008.1.2	SCP	None
RT Image Storage	1.2.840.10008.5.1.4.1.1.481.1	DICOM Explicit VR Little Endian	1.2.840.10008.1.2.1	SCP	None
RT Image Storage	1.2.840.10008.5.1.4.1.1.481.1	JPEG Baseline Process 1	1.2.840.10008.1.2.4.50	SCP	None
RT Image Storage	1.2.840.10008.5.1.4.1.1.481.1	JPEG Extended Process 2 & 4	1.2.840.10008.1.2.4.51	SCP	None
RT Image Storage	1.2.840.10008.5.1.4.1.1.481.1	JPEG Lossless Proc. 14, Value 1	1.2.840.10008.1.2.4.70	SCP	None
RT Image Storage	1.2.840.10008.5.1.4.1.1.481.1	JPEG 2000 Lossless	1.2.840.10008.1.2.4.90	SCP	None
RT Image Storage	1.2.840.10008.5.1.4.1.1.481.1	JPEG 2000 Lossless or Lossy	1.2.840.10008.1.2.4.91	SCP	None
RT Dose Storage	1.2.840.10008.5.1.4.1.1.481.2	DICOM Implicit VR Little Endian	1.2.840.10008.1.2	SCP	None
RT Dose Storage	1.2.840.10008.5.1.4.1.1.481.2	DICOM Explicit VR Little Endian	1.2.840.10008.1.2.1	SCP	None
RT Structure Set Storage	1.2.840.10008.5.1.4.1.1.481.3	DICOM Implicit VR Little Endian	1.2.840.10008.1.2	SCP	None
RT Structure Set Storage	1.2.840.10008.5.1.4.1.1.481.3	DICOM Explicit VR Little Endian	1.2.840.10008.1.2.1	SCP	None
RT Beams Treatment Record Storage	1.2.840.10008.5.1.4.1.1.481.4	DICOM Implicit VR Little Endian	1.2.840.10008.1.2	SCP	None
RT Beams Treatment Record Storage	1.2.840.10008.5.1.4.1.1.481.4	DICOM Explicit VR Little Endian	1.2.840.10008.1.2.1	SCP	None
RT Plan Storage	1.2.840.10008.5.1.4.1.1.481.5	DICOM Implicit VR Little Endian	1.2.840.10008.1.2	SCP	None
RT Plan Storage	1.2.840.10008.5.1.4.1.1.481.5	DICOM Explicit VR Little Endian	1.2.840.10008.1.2.1	SCP	None
RT Brachy Treatment Record Storage	1.2.840.10008.5.1.4.1.1.481.6	DICOM Implicit VR Little Endian	1.2.840.10008.1.2	SCP	None
RT Brachy Treatment Record Storage	1.2.840.10008.5.1.4.1.1.481.6	DICOM Explicit VR Little Endian	1.2.840.10008.1.2.1	SCP	None
RT Treatment Summary Record Storage	1.2.840.10008.5.1.4.1.1.481.7	DICOM Implicit VR Little Endian	1.2.840.10008.1.2	SCP	None

RT Treatment Summary Record Storage	1.2.840.10008.5.1.4.1.1.481.7	DICOM Explicit VR Little Endean	1.2.840.10008.1.2.1	SCP	None
Grayscale Softcopy Presentation State Storage	1.2.840.10008.5.1.4.1.1.11.1	DICOM Implicit VR Little Endean	1.2.840.10008.1.2	SCP	None
Grayscale Softcopy Presentation State Storage	1.2.840.10008.5.1.4.1.1.11.1	DICOM Explicit VR Little Endean	1.2.840.10008.1.2.1	SCP	None
Basic Text SR	1.2.840.10008.5.1.4.1.1.88.11	DICOM Implicit VR Little Endean	1.2.840.10008.1.2	SCP	None
Basic Text SR	1.2.840.10008.5.1.4.1.1.88.11	DICOM Explicit VR Little Endean	1.2.840.10008.1.2.1	SCP	None
Enhanced Text SR	1.2.840.10008.5.1.4.1.1.88.22	DICOM Implicit VR Little Endean	1.2.840.10008.1.2	SCP	None
Enhanced Text SR	1.2.840.10008.5.1.4.1.1.88.22	DICOM Explicit VR Little Endean	1.2.840.10008.1.2.1	SCP	None
Comprehensive Text SR	1.2.840.10008.5.1.4.1.1.88.33	DICOM Implicit VR Little Endean	1.2.840.10008.1.2	SCP	None
Comprehensive Text SR	1.2.840.10008.5.1.4.1.1.88.33	DICOM Explicit VR Little Endean	1.2.840.10008.1.2.1	SCP	None
Key Object Selection Document	1.2.840.10008.5.1.4.1.1.88.59	DICOM Implicit VR Little Endean	1.2.840.10008.1.2	SCP	None
Key Object Selection Document	1.2.840.10008.5.1.4.1.1.88.59	DICOM Explicit VR Little Endean	1.2.840.10008.1.2.1	SCP	None
Allegro CT Image	2.16.124.11.3531.2.0.0	DICOM Implicit VR Little Endean	1.2.840.10008.1.2	SCP	None
Allegro CT Image	2.16.124.11.3531.2.0.0	DICOM Explicit VR Little Endean	1.2.840.10008.1.2.1	SCP	None
Allegro CT Image	2.16.124.11.3531.2.0.0	JPEG Baseline Process 1	1.2.840.10008.1.2.4.50	SCP	None
Allegro CT Image	2.16.124.11.3531.2.0.0	JPEG Extended Process 2 & 4	1.2.840.10008.1.2.4.51	SCP	None
Allegro CT Image	2.16.124.11.3531.2.0.0	JPEG Lossless Proc. 14, Value 1	1.2.840.10008.1.2.4.70	SCP	None
Allegro CT Image	2.16.124.11.3531.2.0.0	JPEG 2000 Lossless	1.2.840.10008.1.2.4.90	SCP	None
Allegro CT Image	2.16.124.11.3531.2.0.0	JPEG 2000 Lossless or Lossy	1.2.840.10008.1.2.4.91	SCP	None

Allegro MR Image	2.16.124.11.3531.2.0.1	DICOM Implicit VR Little Endean	1.2.840.10008.1.2	SCP	None
Allegro MR Image	2.16.124.11.3531.2.0.1	DICOM Explicit VR Little Endean	1.2.840.10008.1.2.1	SCP	None
Allegro MR Image	2.16.124.11.3531.2.0.1	JPEG Baseline Process 1	1.2.840.10008.1.2.4.50	SCP	None
Allegro MR Image	2.16.124.11.3531.2.0.1	JPEG Extended Process 2 & 4	1.2.840.10008.1.2.4.51	SCP	None
Allegro MR Image	2.16.124.11.3531.2.0.1	JPEG Lossless Proc. 14, Value 1	1.2.840.10008.1.2.4.70	SCP	None
Allegro MR Image	2.16.124.11.3531.2.0.1	JPEG 2000 Lossless	1.2.840.10008.1.2.4.90	SCP	None
Allegro MR Image	2.16.124.11.3531.2.0.1	JPEG 2000 Lossless or Lossy	1.2.840.10008.1.2.4.91	SCP	None
Allegro 3D Image	2.16.124.11.3531.2.0.2	DICOM Implicit VR Little Endean	1.2.840.10008.1.2	SCP	None
Allegro 3D Image	2.16.124.11.3531.2.0.2	DICOM Explicit VR Little Endean	1.2.840.10008.1.2.1	SCP	None
Allegro 3D Image	2.16.124.11.3531.2.0.2	JPEG Baseline Process 1	1.2.840.10008.1.2.4.50	SCP	None
Allegro 3D Image	2.16.124.11.3531.2.0.2	JPEG Extended Process 2 & 4	1.2.840.10008.1.2.4.51	SCP	None
Allegro 3D Image	2.16.124.11.3531.2.0.2	JPEG Lossless Proc. 14, Value 1	1.2.840.10008.1.2.4.70	SCP	None
Allegro 3D Image	2.16.124.11.3531.2.0.2	JPEG 2000 Lossless	1.2.840.10008.1.2.4.90	SCP	None
Allegro 3D Image	2.16.124.11.3531.2.0.2	JPEG 2000 Lossless or Lossy	1.2.840.10008.1.2.4.91	SCP	None

**Table 3: Acceptable Presentation Contexts for the DICOM server**

**3.3.1.2.1. SOP specific conformance**

The DICOM server implements Level 2 Full conformance for the Storage SOP Class.

**3.3.1.3. Presentation Context Acceptance Criterion**

The DICOM server will accept any number of storage SOP classes that are listed in Table 3 above. The DICOM server defines no limit for the number of presentation contexts accepted.

**3.3.1.4. Transfer syntax selection policies**

The DICOM server supports the Implicit VR Little Endean Transfer Syntax, the Explicit VR Little Endean Transfer Syntax, JPEG Baseline Process 1, the JPEG Extended Process 2 & 4 and the JPEG Lossless Process 14 (Selection Value 1) as specified in the Table 3 above.

**3.3.2. Real-world activity – Query/Retrieve Request from External Node**

The DICOM server accepts associations from nodes that wish to perform query-find and retrieve-move operations on images that have been previously stored.

**3.3.2.1. Associated Real-world activity**

The real-world activity associated with C-FIND and C-MOVE requests are the query and retrieval operations initiated by another application. An application queries the DICOM server for patient/study/series/image information that has been previously stored by the DICOM server and can request to send images to a third application.

**3.3.2.2. Presentation Context Table**

Table 4 shows the presentation contexts that may be accepted by the DICOM server for query operations.

Abstract Syntax Name	Abstract Syntax UID	Transfer Syntax Name	Transfer Syntax UID	Role	Extended Negotiation
Patient Root Query/Retrieve Information Model – FIND	1.2.840.10008.5.1.4.1.2.1.1	DICOM Implicit VR Little Endian	1.2.840.10008.1.2	SCP	None
Patient Root Query/Retrieve Information Model – MOVE	1.2.840.10008.5.1.4.1.2.1.2	DICOM Implicit VR Little Endian	1.2.840.10008.1.2	SCP	None
Study Root Query/Retrieve Information Model – FIND	1.2.840.10008.5.1.4.1.2.2.1	DICOM Implicit VR Little Endian	1.2.840.10008.1.2	SCP	None
Study Root Query/Retrieve Information Model – MOVE	1.2.840.10008.5.1.4.1.2.2.2	DICOM Implicit VR Little Endian	1.2.840.10008.1.2	SCP	None

**Table 4: Acceptable Presentation Contexts for Query/Retrieve Service Classes**

**3.3.2.2.1. SOP Specific Conformance**

Table 5 and 6 below indicate which keys are supported by the DICOM server for the Patient Root Query/Retrieve Information Model and Study Root Information Model.

The DICOM server provides the FIND and MOVE SOP classes listed in Table 2 above. It supports the single value matching, the universal matching, the wild card matching and the list of UID matching.

In response to a C-MOVE request, the DICOM server supports the Storage SOP classes that are listed in Table 1.

Level	Description	Tag	Type
Patient	Patient Name	0010 0010	R
Patient	Patient ID	0010 0020	U
Patient	Patient’s Birth Date	0010 0030	O
Patient	Patient’s Sex	0010 0040	O
Study	Study Date	0008 0020	R

Study	Study Time	0008 0030	R
Study	Accession Number	0008 0050	R
Study	Study ID	0020 0010	R
Study	Study Instance UID	0020 000D	U
Study	Modalities in Study	0008,0061	O
Study	Number of Study Related Series	0020,1206	O
Study	Number of Study Related Instances	0020,1208	O
Study	Referring Physician Name	0008 0090	O
Study	Study Description	0008 1030	O
Series	Modality	0008 0060	R
Series	Series Number	0020 0011	R
Series	Series Instance UID	0020 000E	U
Series	Number of Series Related Instances	0020 1209	O
Series	Request Attribute Sequence	0040 0275	O
Series	> Requested Procedure ID	> 0040 1001	O
Series	> Scheduled Procedure Step ID	> 0040 1009	O
Series	Performed Procedure Start Date	0040 0244	O
Series	Performed Procedure Start Time	0040 0245	O
Image	Image Number	0020 0013	R
Image	SOP Instance UID	0008 0018	U
Image	Rows	0028 0010	O
Image	Columns	0028 0011	O
Image	Presentation Label	0070 0080	O
Image	Presentation Description	0080 0081	O
Image	Presentation Creation Date	0080 0082	O
Image	Presentation Creation Time	0080 0083	O
Image	Presentation Creator's Name	0080 0084	O
Image	Referenced Series Sequence	0008 1115	O
Image	> Series Instance UID	> 0020 000E	O
Image	> Referenced Image Sequence	> 0008 1140	O
Image	>> SOP Class UID	>> 0008 1150	O
Image	>> SOP Instance UID	>> 0008 1155	O

**Table 5: Keys Supported for Patient Root Information Model**

Level	Description	Tag	Type
Study	Study Date	0008 0020	R
Study	Study Time	0008 0030	R
Study	Accession Number	0008 0050	R
Study	Study ID	0020 0010	R

Study	Study Instance UID	0020 000D	U
Study	Modalities in Study	0008,0061	O
Study	Number of Study Related Series	0020,1206	O
Study	Number of Study Related Instances	0020,1208	O
Study	Patient Name	0010 0010	R
Study	Patient ID	0010 0020	R
Study	Patient's Birth Date	0010 0030	O
Study	Patient's Sex	0010 0040	O
Study	Referring Physican Name	0008 0090	O
Study	Study Description	0008 1030	O
Series	Modality	0008 0060	R
Series	Series Number	0020 0011	R
Series	Series Instance UID	0020 000E	U
Series	Number of Series Related Instances	0020 1209	O
Series	Request Attribute Sequence	0040 0275	O
Series	> Requested Procedure ID	> 0040 1001	O
Series	> Scheduled Procedure Step ID	> 0040 1009	O
Series	Performed Procedure Start Date	0040 0244	O
Series	Performed Procedure Start Time	0040 0245	O
Image	Image Number	0020 0013	R
Image	SOP Instance UID	0008 0018	U
Image	Rows	0028 0010	O
Image	Columns	0028 0011	O
Image	Presentation Label	0070 0080	O
Image	Presentation Description	0070 0081	O
Image	Presentation Creation Date	0070 0082	O
Image	Presentation Creation Time	0070 0083	O
Image	Presentation Creator's Name	0070 0084	O
Image	Referenced Series Sequence	0008 1115	O
Image	> Series Instance UID	> 0020 000E	O
Image	> Referenced Series Sequence	> 0008 1140	O
Image	>> SOP Class UID	>> 0008 1150	O
Image	>> SOP Instance UID	>> 0008 1155	O

**Table 6: Keys Supported for Study Root Information Model**

### 3.3.2.3. Presentation Context Acceptance Criterion

The DICOM server will accept any number of query SOP Classes that are listed in Table 4 above and defines no limit for the number of presentation contexts accepted.

**3.3.2.4. Transfer Syntax Selection Policies**

The DICOM server only supports the Implicit VR Little Endian transfer syntax. Any proposed presentation context that does not include the Implicit VR Little Endian transfer syntax will be rejected.

**3.3.3. Real-world activity – Storage Content Notification from External Node**

The DICOM server accepts associations from nodes which want it to be notified about studies that have been performed by another application entity.

**3.3.3.1. Associated real-world activity**

The application entity performing a study content notification sends a C-STORE request to the DICOM server. The C-STORE request specifies the content of a study that has been performed. The DICOM server checks all series and images it is notified about and sends the C-STORE response message containing the appropriate status value: complete study content exists, partial study content exists or none of the study content exists on the system supporting the DICOM server.

**3.3.3.2. Presentation Context Table**

Table 7 shows the presentation contexts that may be accepted by the DICOM server for study content notifications.

Abstract Syntax Name	Abstract Syntax UID	Transfer Syntax Name	Transfer Syntax UID	Role	Extended Negotiation
Basic Study Content Notification	1.2.840.10008.1.9	DICOM Implicit VR Little Endian	1.2.840.10008.1.2	SCP	None

**Table 7: Acceptable Presentation Contexts for Study Content Notification Service Class**

**3.3.3.2.1. SOP specific conformance**

The DICOM server does not try to retrieve images, series or studies which don't exist on its system.

**3.3.3.3. Presentation Context Acceptance Criterion**

The DICOM server defines no limit for the number of presentation contexts accepted.

The DICOM server only supports the Implicit VR Little Endian transfer syntax. Any proposed presentation context that does not include the Implicit VR Little Endian transfer syntax will be rejected.

**3.3.4. Real-world activity – Storage Commitment Request from External Node**

The DICOM server accepts associations from nodes which wish get a commitment for the safekeeping of images it has stored.

**3.3.4.1. Associated real-world activity**

The Application Entity which gets a storage commitment sends an N-ACTION request to the DICOM server. The N-ACTION request for the Storage Commitment Push Model specifies a list of images which have been previously stored on the system supporting the DICOM server. The N-ACTION request for the Storage Commitment Pull Model specifies a list of images as well as associated Application Entities the specified images can be retrieved from. The DICOM server sends the N-ACTION response message with the status value set to SUCCESS, checks all images it was told about and sends an N-EVENT-REPORT request to the Peer Application Entity.

The N-EVENT-REPORT request specifies a list all images the Peer Application Entity is asking for and which can be retrieved from the node supporting the DICOM server. An

additional list of the N-EVENTREPORT request references all images the DICOM server does not know, and was asked for.

The DICOM server will try to retrieve all images it does not know, if the Storage Commitment Pull Model is used.

**3.3.4.2. Presentation Context Table**

Table 8 shows the presentation contexts that may be accepted by the DICOM server for storage commitment operations.

Abstract Syntax Name	Abstract Syntax UID	Transfer Syntax Name	Transfer Syntax UID	Role	Extended Negotiation
Storage Commitment Push Model	1.2.840.10008.5.1.20.1	DICOM Implicit VR Little Endean	1.2.840.10008.1.2	SCP	None Node
Storage Commitment Pull Model	1.2.840.10008.5.1.20.2	DICOM Implicit VR Little Endean	1.2.840.10008.1.2	SCP	

**Table 8: Acceptable Presentation Contexts for Storage Commitment Service Classes**

**3.3.4.2.1. SOP specific conformance**

The DICOM server uses the same association to send the N-ACTION response message and the N-EVENTREPORT request message to the Peer Application Entity.

The DICOM server takes no notice of the SOP Class UIDs of images which the Peer Application Entity ask a storage commitment for.

The DICOM server does not work in conjunction with storage media.

**3.3.4.3. Presentation Context Acceptance Criterion**

The DICOM server defines no limit for the number of presentation contexts accepted.

**3.3.4.4. Transfer Syntax selection policies**

The DICOM server only supports the Implicit VR Little Endean transfer syntax. Any proposed presentation context that does not include the Implicit VR Little Endean transfer syntax will be rejected.

**3.3.5. Real-world activity – Modality Performed Procedure Step N-CREATE / N-SET request from External Node**

The DICOM server works with a database maintaining information about the imaging procedure steps performed in its real world environment. It accepts associations from nodes which want to store and / or update information about procedure steps they have performed.

**3.3.5.1. Associated real-world activity**

The Application Entity acting as SCP of the Modality Performed Procedure Step Service Class sends the NCREATE / N-SET request to the DICOM server working as SCU of the Modality Performed Procedure Step Service Class. The DICOM server accepts all attributes specified in Table 23, and stores them into the database.

Attribute Name/Module	Tag	Allowed for N-CREATE	Allowed for N-SET
SOP Common			
Specific Character Set	0008 0005	Yes	No
Performed Procedure Step Relationship			
Scheduled Step Attribute Sequence	0040 0270	Yes	No
> Study Instance UID	0020 000D	Yes	No
> Referenced Study Sequence	0008 1110	Yes	No
>> Referenced SOP Class UID	0008 1150	Yes	No
>> Referenced SOP Instance UID	0008 1155	Yes	No
> Accession Number	0008 0050	Yes	No
> Placer Order Number / Imaging Service Request	0040 2016	Yes	No
> Filler Order Number / Imaging Service Request	0040 2017	Yes	No
> Requested Procedure ID	0040 1001	Yes	No
> Requested Procedure Description	0032 1060	Yes	No
> Scheduled Procedure Step ID	0040 0009	Yes	No
> Scheduled Procedure Step Description	0040 0007	Yes	No
> Scheduled Action Item Code Sequence	0040 0008	Yes	No
>> Code Value	0008 0100	Yes	No
>> Coding Scheme Designator	0008 0102	Yes	No
>> Coding Scheme Version	0008 0103	Yes	No
>> Coding Scheme Meaning	0008 0104	Yes	No
Patient's Name	0010 0010	Yes	No
Patient ID	0010 0020	Yes	No
Patient's Birth Date	0010 0032	Yes	No
Patient's Sex	0010 0040	Yes	No
Performed Procedure Step Information			
Performed Procedure Step ID	0040 0253	Yes	No
Performed Station AE Title	0040 0241	Yes	No
Performed Station Name	0040 0242	Yes	No
Performed Location	0040 0243	Yes	No
Performed Procedure Start Date	0040 0244	Yes	No
Performed Procedure Start Time	0040 0245	Yes	No
Performed Procedure Step Status	0040 0252	Yes	Yes
Performed Procedure Step Description	0040 0254	Yes	Yes
Performed Procedure Type Description	0040 0255	Yes	Yes
Procedure Code Sequence	0008 1032	Yes	Yes
> Code Value	0008 0100	Yes	Yes
> Coding Scheme Designator	0008 0102	Yes	Yes

> Coding Scheme Version	0008 0103	Yes	Yes
> Code Meaning	0008 0104	Yes	Yes
Performed Procedure End Date	0040 0250	Yes	Yes
Performed Procedure End Time	0040 0251	Yes	Yes
Image Acquisition Results			
Modality	0008 0060	Yes	
Performed Action Item Code Sequence	0040 0260	Yes	Yes
> Code Value	0008 0100	Yes	Yes
> Coding Scheme Designator	0008 0102	Yes	Yes
> Coding Scheme Version	0008 0103	Yes	Yes
> Coding Scheme Meaning	0008 0104	Yes	Yes
Performed Series Sequence	0040 0340	Yes	Yes
> Performing Physician's Name	0008 1050	Yes	Yes
> Protocol Name	0018 1030	Yes	Yes
> Operator's Name	0008 1070	Yes	Yes
> Series Instance UID	0020 000E	Yes	Yes
> Series Description	0008 103E	Yes	Yes
> Retrieve AE Title	0008 0054	Yes	Yes
> Referenced Image Sequence	0008 1140	Yes	Yes
>> Referenced SOP Class UID	0008 1150	Yes	Yes
>> Referenced SOP Instance UID	0008 1155	Yes	Yes
> Referenced Standalone SOP Instance Sequence	0040 0220	Yes	Yes
>> Referenced SOP Class UID	0040 1150	Yes	Yes
>> Referenced SOP Instance UID	0040 1155	Yes	Yes

**Table 23: Supported Attributes for Modality Performed Procedure Step N-CREATE / N-SET Requests**

**3.3.5.2. Presentation Context Table**

Table 24 shows the presentation contexts that may be accepted by the DICOM server for Modality Performed Procedure Step Service Class Operations.

Abstract Syntax Name	Abstract Syntax UID	Transfer Syntax Name	Transfer Syntax UID	Role	Extended Negotiation
Modality Performed Procedure Step	1.2.840.10008.3.1.2.3.3	DICOM Implicit VR Little Endian	1.2.840.10008.1.2	SCU	None

**Table 24: Acceptable Presentation Contexts for Modality Performed Procedure Step Service Class**

3.3.5.2.1. SOP specific conformance  
Not applicable

**3.3.5.3. Presentation Context Acceptance Criterion**

The DICOM server defines no limit for the number of presentation contexts accepted.

**3.3.5.4. Transfer Syntax selection policies**

The DICOM server only supports the Implicit VR Little Endian transfer syntax. Any proposed presentation context that does not include the Implicit VR Little Endian transfer syntax will be rejected.

**3.3.6. Real-world activity – Modality Performed Procedure Step N-GET request from External Node**

The DICOM server works with a database maintaining information about the imaging procedure steps performed in its real world environment. It accepts associations from nodes which want to get the procedure steps information using the Modality Performed Procedure Step Retrieve Service Class.

**3.3.6.1. Associated real-world activity**

The Application Entity acting as SCU of the Modality Performed Procedure Step Retrieve Service Class sends the N-GET request to the DICOM server working as SCP of the Modality Performed Procedure Step Retrieve Service Class. The DICOM server accepts attributes specified in Table 25, and sends the corresponding values to the requestor.

Attribute Name/Module	Tag
Specific Character Set	0008 0005
Performed Procedure Step Relationship	
Scheduled Step Attribute Sequence	0040 0270
> Study Instance UID	0020 000D
> Referenced Study Sequence	0008 1110
>> Referenced SOP Class UID	0008 1150
>> Referenced SOP Instance UID	0008 1155
> Accession Number	0008 0050
> Placer Order Number / Imaging Service Request	0040 2016
> Filler Order Number / Imaging Service Request	0040 2017
> Requested Procedure Description	0032 1060
> Requested Procedure ID	0040 1001
> Scheduled Procedure Step ID	0040 0009
> Scheduled Procedure Step Description	0040 0007
> Scheduled Action Item Code Sequence	0040 0008
>> Code Value	0008 0100
>> Coding Scheme Designator	0008 0102
>> Coding Scheme Version	0008 0103
>> Coding Scheme Meaning	0008 0104
Patient's Name	0010 0010
Patient ID	0010 0020
Patient's Birth Date	0010 0032
Patient's Sex	0010 0040
Performed Procedure Step Information	
Performed Procedure Step ID	0040 0253
Performed Station AE Title	0040 0241

Performed Station Name	0040 0242
Performed Location	0040 0243
Performed Procedure Start Date	0040 0244
Performed Procedure Start Time	0040 0245
Performed Procedure Step Status	0040 0252
Performed Procedure Step Description	0040 0254
Performed Procedure Type Description	0040 0255
Procedure Code Sequence	0008 1032
> Code Value	0008 0100
> Coding Scheme Designator	0008 0102
> Coding Scheme Version	0008 0103
> Code Meaning	0008 0104
Performed Procedure End Date	0040 0250
Performed Procedure End Time	0040 0251
Modality	0008 0060
Performed Action Item Code Sequence	0040 0260
> Code Value	0008 0100
> Coding Scheme Designator	0008 0102
> Coding Scheme Version	0008 0103
> Coding Scheme Meaning	0008 0104
Image Acquisition Results	
Performed Series Sequence	0040 0340
> Performing Physician's Name	0008 1050
> Protocol Name	0018 1030
> Operator's Name	0008 1070
> Series Instance UID	0020 000E
> Series Description	0008 103E
> Retrieve AE Title	0008 0054
> Referenced Image Sequence	0008 1140
>> Referenced SOP Class UID	0008 1150
>> Referenced SOP Instance UID	0008 1155
> Referenced Standalone SOP Instance Sequence	0040 0220
>> Referenced SOP Class UID	0040 1150
>> Referenced SOP Instance UID	0040 1155

**Table 25: Supported Attributes for Modality Performed Procedure Step N-GET Request**

### 3.3.6.2. Presentation Context Table

Table 26 shows the presentation contexts that may be accepted by the DICOM server for Modality Performed Procedure Step Retrieve Service Class Operations.

Abstract Syntax Name	Abstract Syntax UID	Transfer Syntax Name	Transfer Syntax UID	Role	Extended Negotiation
Modality Performed Procedure Step Retrieve	1.2.840.10008.3.1.2.3.4	DICOM Implicit VR Little Endean	1.2.840.10008.1.2	SCP	None

**Table 26: Acceptable Presentation Contexts for Modality Performed Procedure Step Service Class**

**3.3.6.2.1. SOP specific conformance**

Not applicable

**3.3.6.2.2. Presentation Context Acceptance Criterion**

The DICOM server defines no limit for the number of presentation contexts accepted.

**3.3.6.3. Transfer Syntax selection policies**

The DICOM server only supports the Implicit VR Little Endean transfer syntax. Any proposed presentation context that does not include the Implicit VR Little Endean transfer syntax will be rejected.

**3.3.7. Real-world activity – Modality Performed Procedure Step N-EVENT-REPORT request from External Node**

The DICOM server works with a database maintaining information about the imaging procedure steps performed in its real world environment. It accepts associations from nodes which want to update the procedure steps status using the Modality Performed Procedure Step Notification Service Class.

**3.3.7.1. Associated real-world activity**

The Application Entity acting as SCP of the Modality Performed Procedure Step Retrieve Service Class sends the N-EVENT-REPORT request to the DICOM server working as SCU of the Modality Performed Procedure Step Notification Service Class. The DICOM server accepts notifications corresponding to all standard event types the Modality Performed Procedure Step Notification Service Class defines:

- Performed Procedure Step Completed
- Performed Procedure Step Discontinued
- Performed Procedure Step Updated
- Performed Procedure Step Deleted

**3.3.7.2. Presentation Context Table**

Table 28 shows the presentation contexts that may be accepted by the DICOM server for Modality Performed Procedure Step Notification Service Class Operations.

Abstract Syntax Name	Abstract Syntax UID	Transfer Syntax Name	Transfer Syntax UID	Role	Extended Negotiation
Modality Performed Procedure Step Notification	1.2.840.10008.3.1.2.3.5	DICOM Implicit VR Little Endean	1.2.840.10008.1.2	SCU	None

**Table 28: Acceptable Presentation Contexts for Modality Performed Procedure Step Notification Service Class**

**3.3.7.2.1. SOP specific conformance**

Not applicable

**3.3.7.3. Presentation Context Acceptance Criterion**

The DICOM server defines no limit for the number of presentation contexts accepted.

**3.3.7.4. Transfer Syntax selection policies**

The DICOM server only supports the Implicit VR Little Endian transfer syntax. Any proposed presentation context that does not include the Implicit VR Little Endian transfer syntax will be rejected.

## 4. Communication Profiles

### 4.1. Supported communication stacks

The DICOM provides DICOM V3.0 TCP/IP Network Communication Support as defined in Part 8 of the DICOM Standard.

**4.1.1. OSI Stack**

Not applicable

**4.1.2. TCP/IP Stack**

**4.1.2.1. TCP/IP API**

The DICOM server uses the TCP/IP stack from the UNIX system upon which it executes. It uses a subroutine library that is based on a Berkeley socket interface.

**4.1.2.2. Physical Media Support**

The DICOM server is not dependent on the physical medium used for the TCP/IP network.

**4.1.3. Point-to-Point Stack**

Not applicable

## 5. Extensions/specializations/privatizations

The DICOM server accepts any well formatted IOD's as specified in PS3-3, table-1 and table-2. No further restrictions are used.

**5.1. Standard extended/specialized/private SOPs**

Not applicable.

**5.2. Private transfer syntaxes**

Not applicable.

## 6. Configuration

The DICOM server obtains the configuration information from the file `dicom.conf`. The Location of this file is defined in the start script `StartDicom`. The DICOM server rereads its configuration file once when it is started and again whenever it receives the hang-up signal, `SIGHUP`. The configuration file consists of a simple list of parameters. All entries of the list have the form of a single *key=value* pair.

If you choose to set `DBASE_CONFIG_ENABLE` key to `TRUE`, the DICOM server will retrieve the address mapping information from the connected database.

This chapter contains some DICOM specific aspects of the configuration process of the DICOM server. The entire configuration of the DICOM server is described in the installation guide of *MEDxConnect M3 SOLUTION*.

### 6.1. AE title/presentation address mapping

If you choose to set the `DBASE_CONFIG_ENABLE` key to `TRUE`, the DICOM server will retrieve the address mapping information from the connected database. You can use the MEDxConnect M3 SOLUTION WEB Administration Tool to initialize them.

If the `DBASE_CONFIG_ENABLE` key is set to `FALSE`, the required address mapping information will be retrieved from the configuration file `dicom.conf`. The parameters `DICOM_SERVER` and `DESTINATION_xx` are used to map between the AE Titles and Presentation Addresses in the DICOM network. The `DICOM_SERVER` key belongs to the DICOM entity. The `DESTINATION_xx` (`xx=1,2,...,LICENSE_MAX_NUMBER`) key specifies an entity the DICOM server connects to perform the query/retrieve service. All values are attempted to have the following form:

```
APPLICATION_ENTITY_TITLE NODE_NAME PORT_NUMBER
```

Note, that the `NODE_NAME` item has to contain the full domain name if the parameter `FULL_DOMAIN_NAME_ENABLED` is set to `true`.

### 6.2. Configurable parameters

The following parameters may be configured for the DICOM server:

`CALLED_PDU_MAX`: max. PDU length used by DICOM server

`IMPORT_DIRECTORY`: all images received from DICOM server are stored in  
`IMPORT_DIRECTORY`

`EXPLICIT_TRANSFER_SYNTAX_ENABLED` associations for transfer of image files encoded using explicit little Endian transfer syntax will be accepted if the flag `EXPLICIT_TRANSFER_SYNTAX_ENABLED` is true

`LIMIT_SQLMATCHES` max. amount of matches for the query/retrieve request

## Support of extended character sets

The DICOM server supports the single-byte character sets without code extensions as defined in PS3-3. The character set to be used has to be indicated as a single valued element (0008,0005) Specific Character Set.

Support for transfer and storage of DICOM files. If cooperation for documentation of the extended character sets by the originator, more complete use (display, processed routing based on the extended character set, etc.) will be supported.

